

## Agola LED Street Light

### Optical Specs

LED Light Source	5050( LUMILEDS/Cree/Osram/Lightning)
LED Color Temperature	4000K (Options: 5000K and 3000K)
Color Rendering Index	Ra>70(Options: 80)
Light Distribution & LENS Kit	Type II or Type III or Type IV

### Electrical Specs

Input	100-220-240-365V 50/60Hz
Power Factor	>0.95
Surge Protection	10KV(options 20KV)
LED Driver	Philips LED Driver(Inventronics/MOSO options)
Dimming	W/O; 1-10V / DALI / Programmable / NEMA socket / Photocell
Insulation	Class I or Class II options

### Other Specs

Operating Temperature & Humidity	-40℃~50℃/10~95RH
Storage Temperature	-20℃~45℃
Protection	IP66/IK09
Opening Driver Chamber	Tool-free
Safety Feature	Lift-off head, With automatic electrical disconnect
L80 Hours @ 25℃	>93,000 hours
Installation	side entry and post top with tilt angle -15° ~ +15° (in steps of 5°)



Agola L 120-150W



Agola S 20-40w



Agola M 55-105W



Agola XL 180-280W

### Removable body

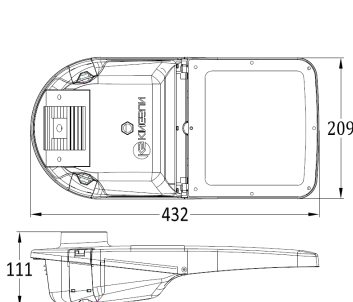


### Project Photo

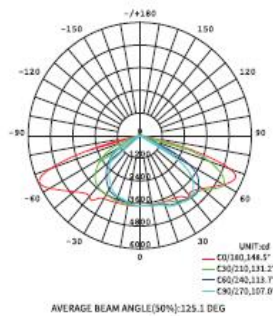


Model Number	Product	Nominal Power (W)	# of LEDs	Flux @ 5000K (lm)	Weight(KG)	Dimensions (mm)
RL455008	Agola-S	20	8	2,800	4.60	L432 x W209 x H111
RL455012		30	12	4,200	4.60	L432 x W209 x H111
RL455016		40	16	5,600	4.60	L432 x W209 x H111
RL455024	Agola-M	55	24	7,700	6.90	L510 x W256 x H102
RL455032		75	32	10,500	6.90	L510 x W256 x H102
RL455040		90	40	12,600	6.90	L510 x W256 x H102
RL455044		105	44	14,700	6.90	L510 x W256 x H102
RL455056	Agola-L	120	56	16,800	8.10	L570 x W287 x H102
RL455068		150	68	21,000	8.10	L570 x W287 x H102
RL455084	Agola-XL	180	84	25,200	10.90	L795 x W340 x H113
RL455096		210	96	29,400	10.90	L795 x W340 x H113
RL4550112		240	112	33,600	10.90	L795 x W340 x H113
RL4550A112		280	112	39,200	10.90	L795 x W340 x H113

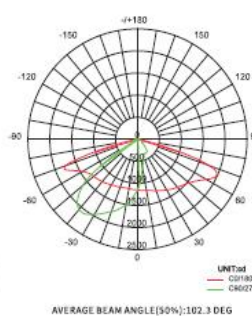
### Product Dimention



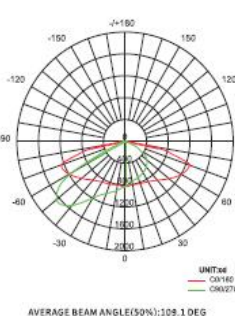
### Photometric



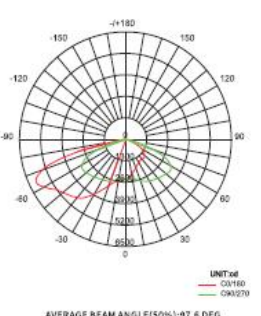
Type II



Type II



Type III



Type IV