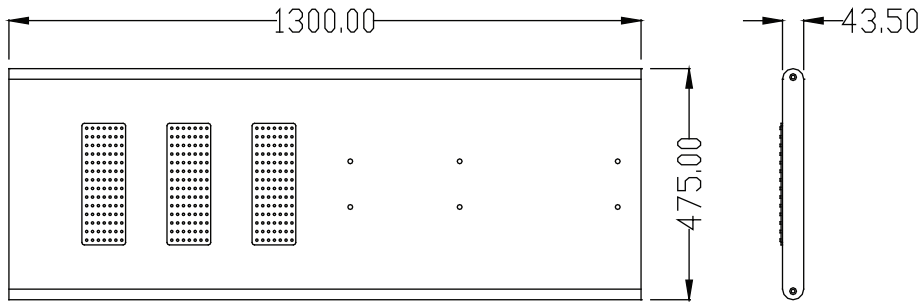


KS-LIT Solar LED Street Light Installation Manual

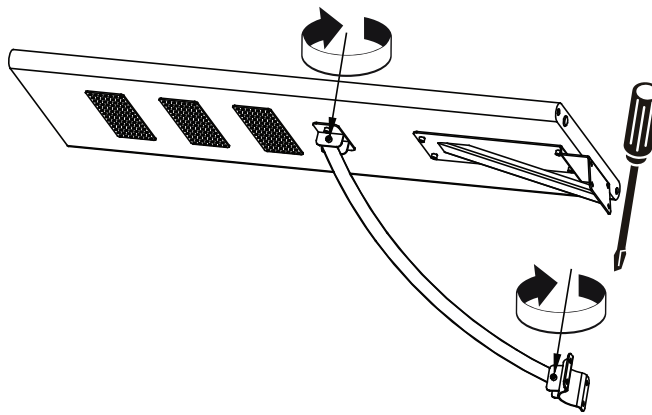
Product Dimension



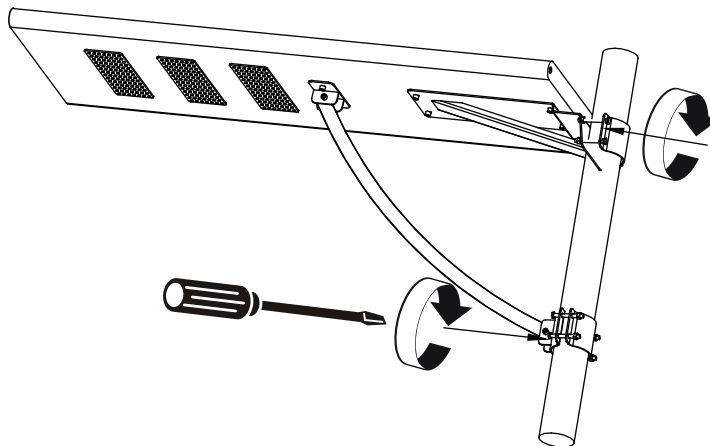
Installation Instruction

Warning: under no circumstance shall the luminaire be directly installed on the surface of ordinary flammable material.

Step A: Mount the support frame and hoop onto the solar luminaire.



Step B: Install the solar luminaire onto the light pole by fastening the hoops.



Technical Parameters

| | | |
|--------------------------------|---|-------------------------------|
| Model No.: KSL-60 | CCT: 5000K | Nominal Lumen: 9000lm |
| IP Rating: IP65 | Pole Height: 6-9m | Product Size: 1300*475*43.5mm |
| PV Module: 18V/80Wp, Mono Type | Working Hour: 10-12H for full brightness mode 30H for dimming mode | |
| Battery: LiFePO4, 12.8V/60AH | Working Temp: -20 °C ~60 °C | |