

## Apollo II LED Street Light

### Optical Specs

LED Light Source	5050( LUMILEDS/Cree/Osram/Lightning)
LED Color Temperature	4000K (Options: 5000K and 3000K)
Color Rendering Index	Ra>70(Options: 80)
Light Distribution & LENS Kit	Type II or Type III

### Electrical Specs

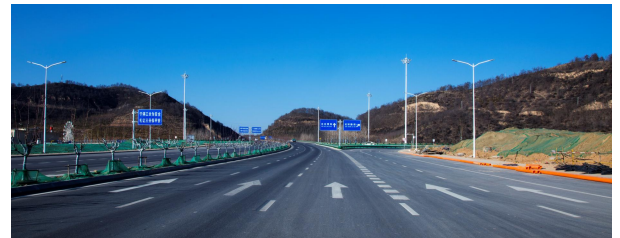
Input	100-220-240-365V 50/60Hz
Power Factor	>0.95
Surge Protection	10KV(options 20KV)
LED Driver	MOSO Driver(Inventronics options)
Dimming	W/O; 1-10V / DALI / Programmable / NEMA socket / Photocell
Insulation	Class I

### Other Specs

Operating Temperature & Humidity	-40℃~50℃/10~95RH
Storage Temperature	-20℃~45℃
IP Classification	IP66
L80 Hours @ 25℃	>93,000 hours
Installation	side entry

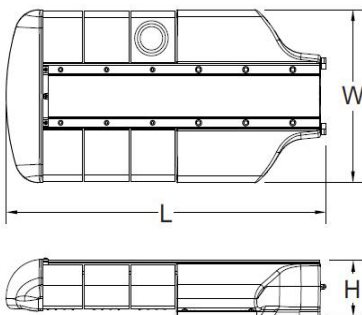


### Project Photo

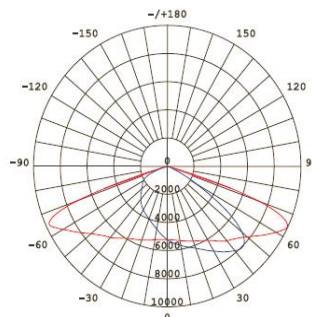


Model Number	Product	Nominal Power (W)	# of LEDs	Flux @ 5000K (lm)	Weight(KG)	Dimensions (mm)
RL183001	16 pcs LEDs per module	40	16	6,000	3.80	L494 x W300 x H99
RL183002		80	32	12,000	4.30	L577 x W300 x H99
RL183003		120	48	18,000	5.80	L660 x W300 x H99
RL183004		160	60	24,000	6.40	L743 x W300 x H99
RL183005		200	72	30,000	7.60	L826 x W300 x H99
RL183006		240	90	36,000	8.40	L909 x W300 x H99

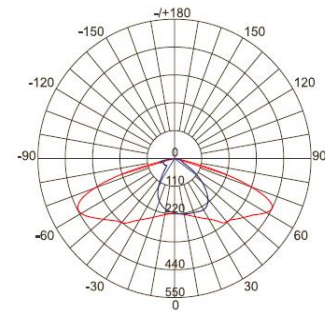
### Product Dimention



### Photometric



Type II



Type III