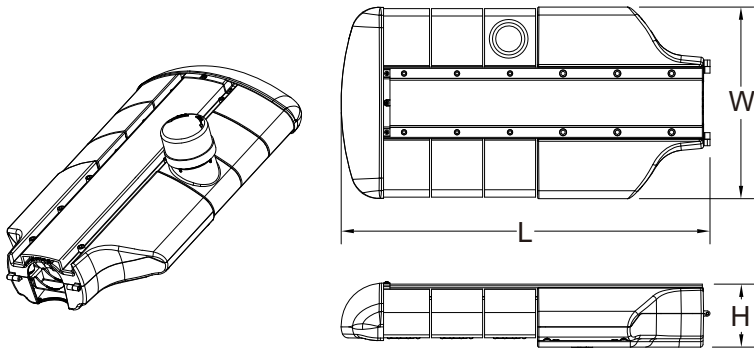


RL18 Series LED Street Light Installation Manual

Product size



Model No.	L	W	H
RL183001	494	300	99
RL183002	577	300	99
RL183003	660	300	99
RL183004	743	300	99
RL183005	826	300	99
RL183006	909	300	99

UNIT:MM

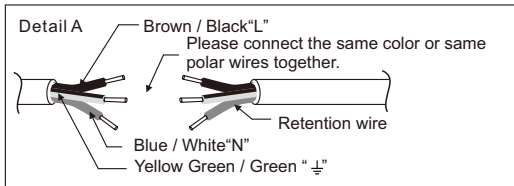
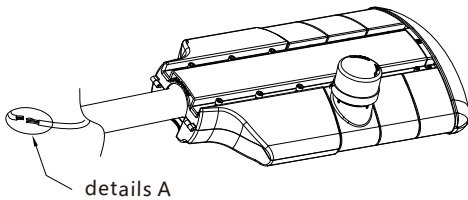
If installation height is more than 8m, the biggest projected area suffered from wind is length (m)*width(m)*0.5

Cautions: lamp cannot be mounted on the surface of ordinary combustibile materials in any circumstances.

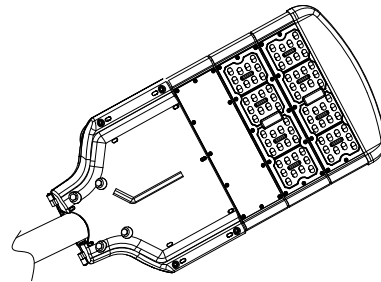
Cautions: if the external cable or wire is damaged, only professionals can be replace it in order to avoid the damage

Installation Instruction

Step1: connect lamp cable with the power cable; the connection must be isolated and waterproof, please see detail:A

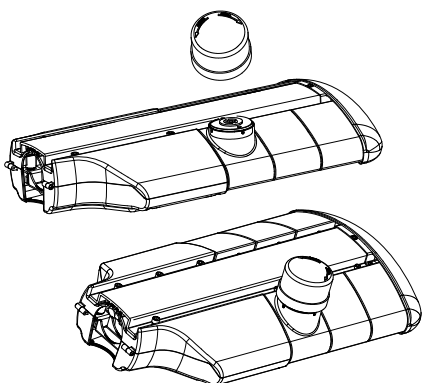


Step2: Set the pole arm into lamp (pole arm should be installed through the bottom of the pole clamp) Adjust the angle of elevation as needed by putting the pole arm onto the angle adjustment step, then fix pole clamp after adjusting the horizontal angle of the lamp (the torque of M10 screw must be over 8.5N.M)

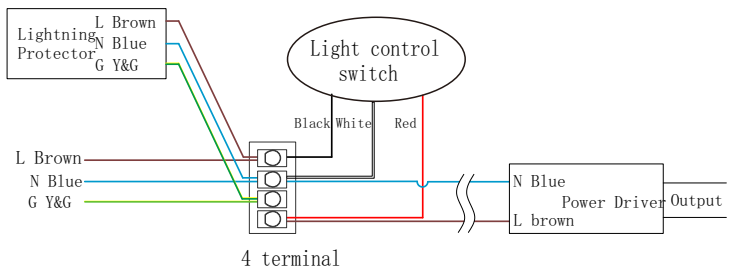


Installation instruction of photocell

Insert the photocell into the receptacle and lock tightly according to the direction guidance on the photocell.



wiring diagram



Main Specification

Model No.	Input Voltage	Supply Frequency	Power Factor	Work Environment	Driver	IP Rating
RL181040	120V-277V~	50/60Hz	>0.95	Operating Temperature & Humidity -40°C~50°C / 10-95RH	Type I	IP65
RL181080	120V-277V~	50/60Hz	>0.95		Type I	IP65
RL181120	120V-277V~	50/60Hz	>0.95		Type I	IP65
RL181160	120V-277V~	50/60Hz	>0.95		Type I	IP65
RL181200	120V-277V~	50/60Hz	>0.95		Type I	IP65
RL181240	120V-277V~	50/60Hz	>0.95		Type I	IP65