

## Apollo LED Street Light

### Optical Specs

LED Light Source	5050( LUMILEDS/Cree/Osram/Lightning)
LED Color Temperature	4000K (Options: 5000K and 3000K)
Color Rendering Index	Ra>70(Options: 80)
Light Distribution & LENS Kit	Type I or Type II or Type III

### Electrical Specs

Input	100-220-240-365V 50/60Hz
Power Factor	>0.95
Surge Protection	10KV(options 20KV)
LED Driver	Philips LED Driver(Inventronics/MOSO options)
Dimming	W/O; 1-10V / DALI / Programmable / NEMA socket / Photocell
Insulation	Class I

### Other Specs

Operating Temperature & Humidity	-40℃~50℃/10~95RH
Storage Temperature	-20℃~45℃
Protection	IP66/IK10
Opening Driver Chamber	Tool-free
L80 Hours @ 25℃	>93,000 hours
Installation	side entry and post top with tilt angle -15° ~ +30° (in steps of 5° ) or 90°



#### Modular Design

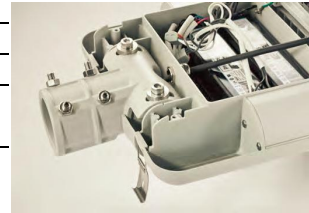
- Easy assembly and maintenance
- Replaceable and upgradeable
- Excellent thermal management



#### Optics & Photometrics

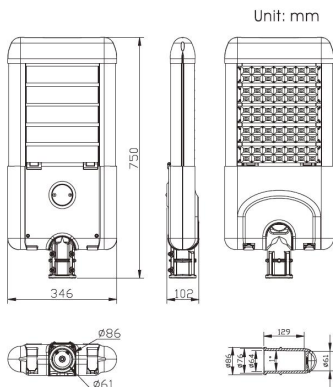
- Unique optics solution optimizes the light distribution to comply with different road standard

### Toolless and adjustable angle Project Photo



Model Number	Product	Nominal Power (W)	# of Modules	Flux @ 5000K (lm)	Weight(KG)	Dimensions (mm)
RL2R3001	16 pcs LEDs per module	35	1	5,075	7.10	L502 x W346 x H102
RL2R3002		70	2	10,150	8.10	L564 x W 346 x H102
RL2R3003		105	3	15,225	8.70	L626 x W346 x H102
RL2R3004		140	4	20,300	9.50	L688 x W346 x H102
RL2R3005		175	5	25,375	10.10	L750 x W346 x H102
RL2R3006		210	6	30,450	11.80	L812 x W346 x H102
RL2R3007		245	7	35,525	12.60	L874 x W346 x H102
RL2R3008		280	8	40,600	13.20	L936 x W346 x H102

### Product Dimension



### Photometric

