

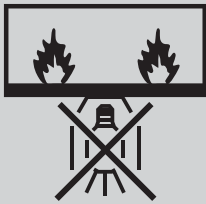
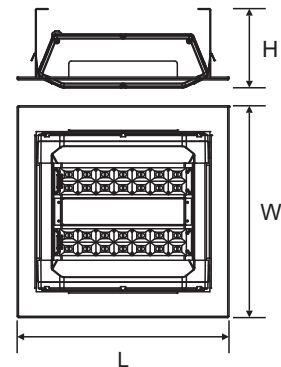
# RECESSED ARTEMIS CANOPY LAMP INSTRUCTION

Note: take BY2G3002 Recessed Artemis canopy light as example

Product Dimension				
Product name	Model No.	L	W	H
ARTEMIS	BY2G3002	410	410	154
	BY2G3003	410	410	154
	BY2G3004	472	410	154
	BY2G3005	534	410	154
	BY2G3006	596	410	154

unit: mm

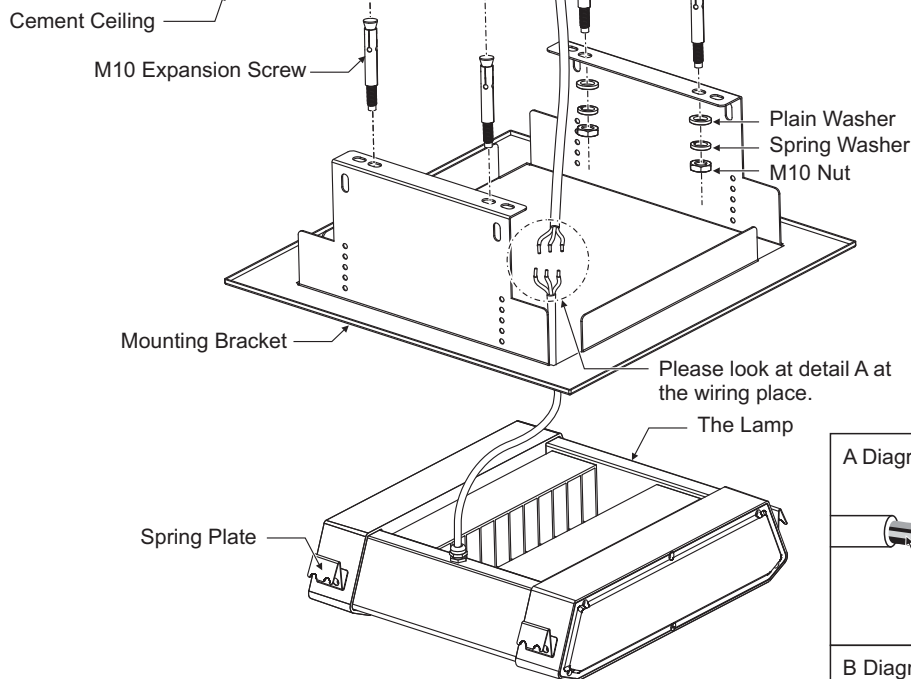
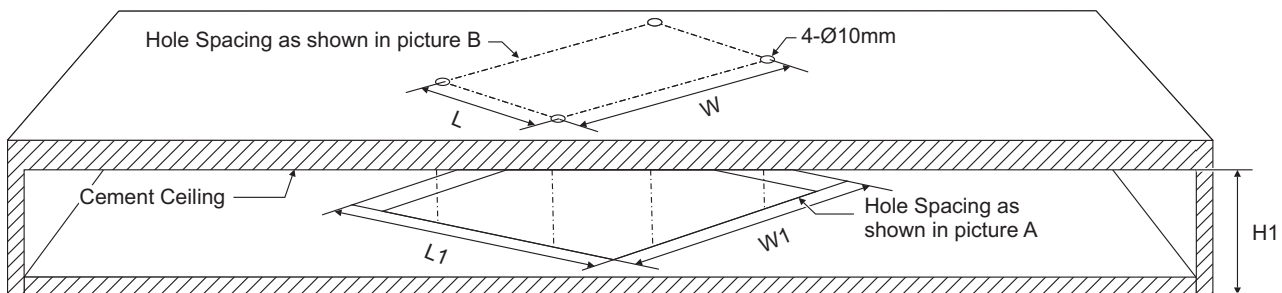
Mounting height  $\geq 8m$ , the maximum projection area of undergoing wind:  $L(m) \times W(m) \times 0.5$



Luminaire can not be directly installed on the surface of ordinary flammable material in any circumstance.

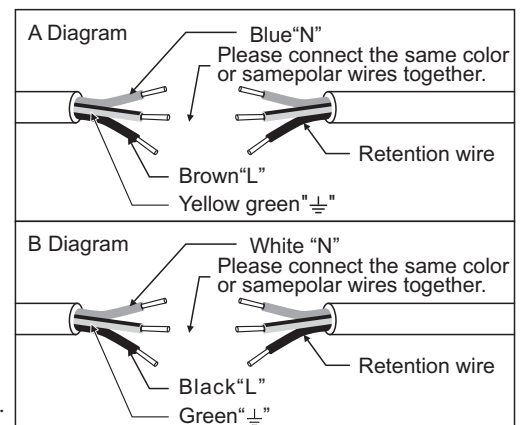
Warning: If outer flexible cable or cord of luminaire are damaged, only manufacturer, its agent or eligible people can replace them to avoid accident.

## Installation Instruction



Picture A			
Product Spec	L1	W1	H1
BY2G3002	360.0	360.0	138.0
BY2G3003	360.0	360.0	138.0
BY2G3004	422.0	360.0	138.0
BY2G3005	484.0	360.0	138.0
BY2G3006	546.0	360.0	138.0

Picture B		
Product Spec	L	W
BY2G3002	95.0	311.0
BY2G3003	95.0	311.0
BY2G3004	157.0	311.0
BY2G3005	219.0	311.0
BY2G3006	281.0	311.0



- Step 1: Cut square slotted hole on the ceiling, spacing as shown in picture A.
- Step 2: Drill 2 holes in the ceiling with electrical drill. Spacing as shown in the sketch. Remark: The length of M10 expansion screw and the depth of the hole should be 60mm or more than 60 mm.
- Step 3: Tap the M10 screws into the holes as the sketch shows.
- Step 4: Lock mounting bracket into the wall with plain washer, spring washer and M10 nut .
- Step 5: Pass the power wire through the hole of mounting bracket. Lift up the lamp and push it up according to arrow in the picture. Ensure the spring plate clasp the bracket firmly.
- Step 6: Connect the power wire, the wire should suffer the voltage  $\geq 300/500V$ , the copper cross-sectional area  $\geq 1.0mm^2$  of 3 core wire inside. Meanwhile, make insulation and water-proof processing. Please look at detail A/B at the wiring place. (please connect wires as per appropriate color of power cords as shown in A/B diagram. )

## Technical Parameters

Product Specification	BY2G3002	BY2G3003	BY2G3004	BY2G3005	BY2G3006
Input Voltage	120V-277V~	120V-277V~	120V-277V~	120V-277V~	120V-277V~
Power Supply Frequency	50/60Hz	50/60Hz	50/60Hz	50/60Hz	50/60Hz
Power Rating					