

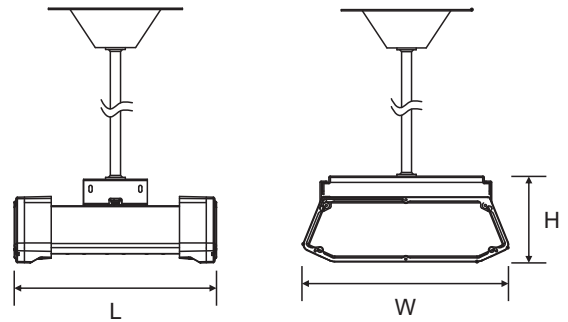
INSTALLATION INSTRUCTION OF ARTEMIS PENDENT CANOPY LAMP



Note: Take pendent BY2G3003 as an example.

| Product Dimension | | | |
|-------------------|-----|-----|-------|
| Model No. | L | W | H |
| BY2G3001 | 221 | 330 | 137.5 |
| BY2G3002 | 253 | 330 | 137.5 |
| BY2G3003 | 315 | 330 | 137.5 |
| BY2G3004 | 377 | 330 | 137.5 |
| BY2G3005 | 439 | 330 | 137.5 |
| BY2G3006 | 501 | 330 | 137.5 |
| BY2G3007 | 563 | 330 | 137.5 |
| BY2G3008 | 625 | 330 | 137.5 |
| BY2G3009 | 687 | 330 | 137.5 |
| BY2G3010 | 749 | 330 | 137.5 |

unit: mm



Mounting height $\geq 8\text{m}$, the maximum projection area of undergoing wind: $L(\text{m}) \times W(\text{m}) \times 0.5$



Luminaire can not be directly installed on the surface of ordinary flammable material in any circumstance.

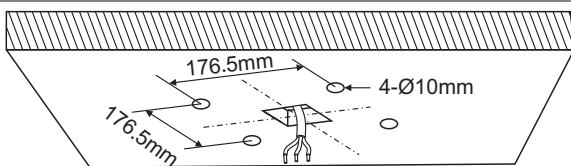


Warning: If outer flexible cable or cord of luminaire are damaged, only manufacturer, its agent or eligible people can replace them to avoid accident.

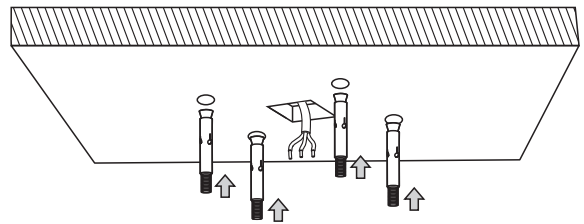
Installation Instruction

- 1** Drill four holes in the ceiling with electrical drill. Spacing as shown in the picture.

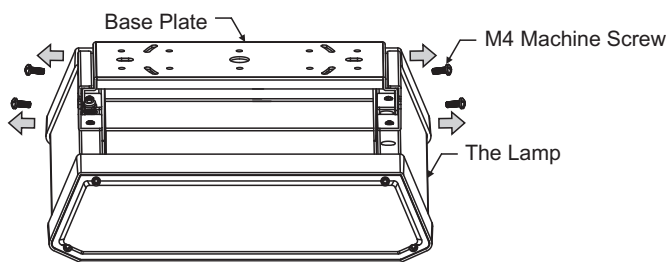
The length of M10 expansion screw and the depth of the hole should be 60mm or more than 60 mm.



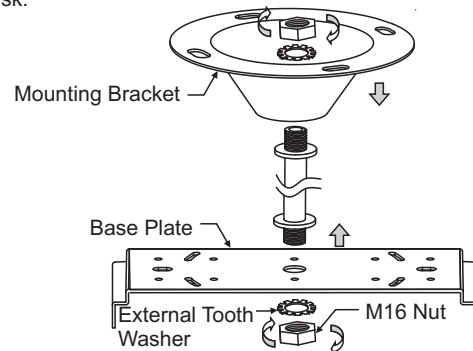
- 2** Tap the M10 screws into the holes just as the sketch shows.



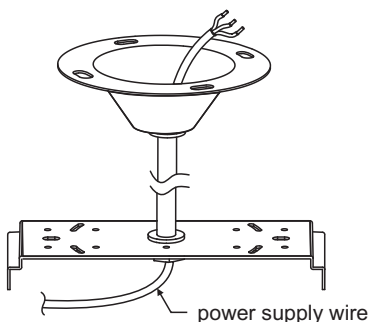
- 3** Loosen M4 machine screws and then remove the base plate out.



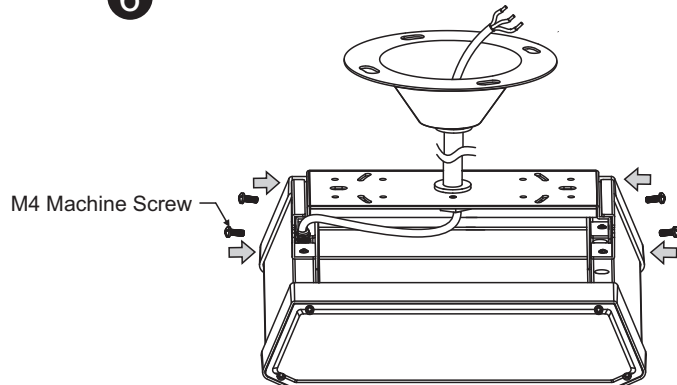
- 4** connect base plate and ceiling disk with suspender, then use external tooth washer and M16 nut to lock base plate and ceiling disk.



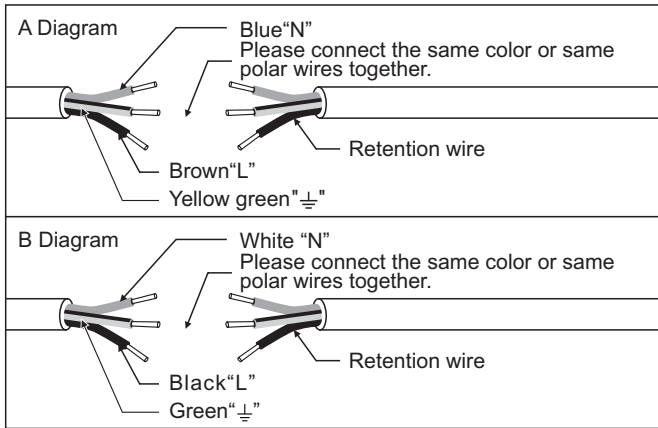
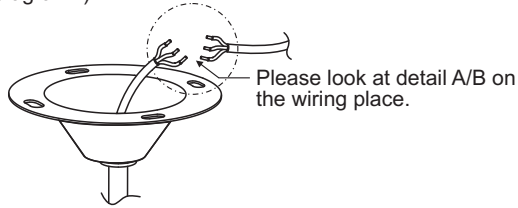
- 5** Pass the power supply wire through base plate, suspender and mounting bracket as the sketch shows.



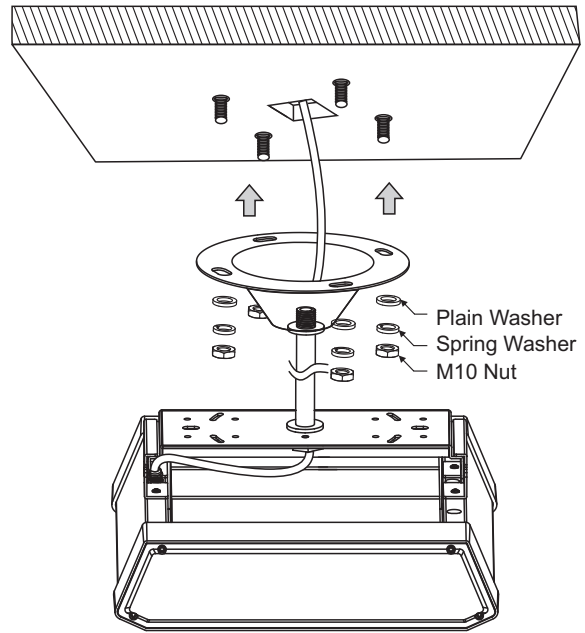
- 6** Fix base plate onto the lamp body with four M4 machine screws.



- 7** Connect the power wire and make insulation and water-proof processing. Please look at detail A/B at the wiring place. (please connect wires as per appropriate color of power cords as shown in A/B diagram.)



- 8** Tighten the lamp on the ceiling with plain washer, spring washer and M10 nut.



Technical Parameters

| Product Specification | BY2G3001 | BY2G3002 | BY2G3003 | BY2G3004 | BY2G3005 |
|------------------------|------------|------------|------------|------------|------------|
| Input Voltage | 120V-277V~ | 120V-277V~ | 120V-277V~ | 120V-277V~ | 120V-277V~ |
| Power Supply Frequency | 50/60Hz | 50/60Hz | 50/60Hz | 50/60Hz | 50/60Hz |
| Power Rating | | | | | |

| Product Specification | BY2G3006 | BY2G3007 | BY2G3008 | BY2G3009 | BY2G3010 |
|------------------------|------------|------------|------------|------------|------------|
| Input Voltage | 120V-277V~ | 120V-277V~ | 120V-277V~ | 120V-277V~ | 120V-277V~ |
| Power Supply Frequency | 50/60Hz | 50/60Hz | 50/60Hz | 50/60Hz | 50/60Hz |
| Power Rating | | | | | |