

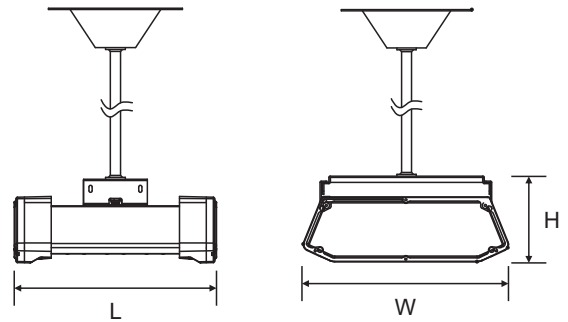
INSTALLATION INSTRUCTION OF ARTEMIS PENDENT CANOPY LAMP



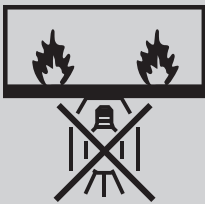
Note: Take pendent BY2G3003 as an example.

Product Dimension			
Model No.	L	W	H
BY2G3001	221	330	137.5
BY2G3002	253	330	137.5
BY2G3003	315	330	137.5
BY2G3004	377	330	137.5
BY2G3005	439	330	137.5
BY2G3006	501	330	137.5
BY2G3007	563	330	137.5
BY2G3008	625	330	137.5
BY2G3009	687	330	137.5
BY2G3010	749	330	137.5

unit: mm



Mounting height $\geq 8m$, the maximum projection area of undergoing wind: $L(m) \times W(m) \times 0.5$



Luminaire can not be directly installed on the surface of ordinary flammable material in any circumstance.

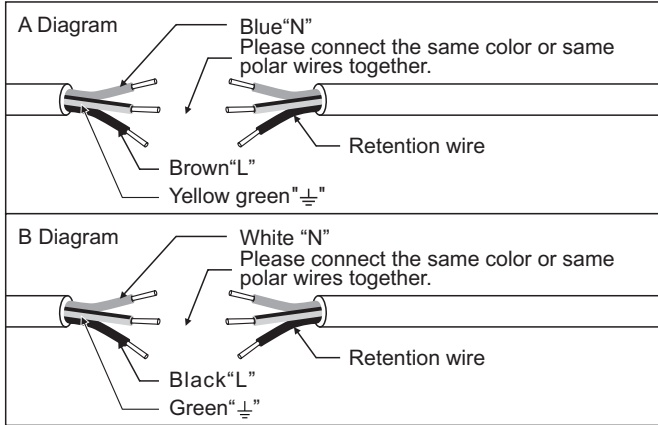
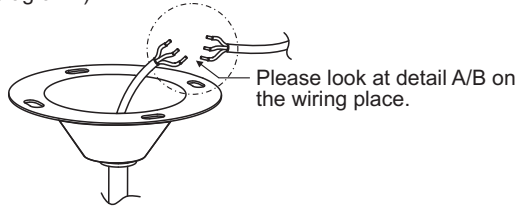
Warning: If outer flexible cable or cord of luminaire are damaged, only manufacturer, its agent or eligible people can replace them to avoid accident.

Installation Instruction

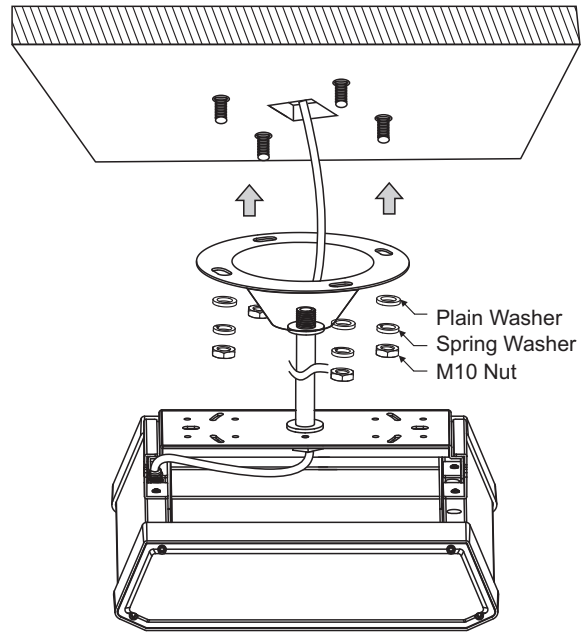
- Drill four holes in the ceiling with electrical drill. Spacing as shown in the picture.

The length of M10 expansion screw and the depth of the hole should be 60mm or more than 60 mm.
- Tap the M10 screws into the holes just as the sketch shows.
- Loosen M4 machine screws and then remove the base plate out.
- connect base plate and ceiling disk with suspender, then use external tooth washer and M16 nut to lock base plate and ceiling disk.
- Pass the power supply wire through base plate, suspender and mounting bracket as the sketch shows.
- Fix base plate onto the lamp body with four M4 machine screws.

- 7** Connect the power wire and make insulation and water-proof processing. Please look at detail A/B at the wiring place. (please connect wires as per appropriate color of power cords as shown in A/B diagram.)



- 8** Tighten the lamp on the ceiling with plain washer, spring washer and M10 nut.



Technical Parameters

Product Specification	BY2G3001	BY2G3002	BY2G3003	BY2G3004	BY2G3005
Input Voltage	120V-277V~	120V-277V~	120V-277V~	120V-277V~	120V-277V~
Power Supply Frequency	50/60Hz	50/60Hz	50/60Hz	50/60Hz	50/60Hz
Power Rating					

Product Specification	BY2G3006	BY2G3007	BY2G3008	BY2G3009	BY2G3010
Input Voltage	120V-277V~	120V-277V~	120V-277V~	120V-277V~	120V-277V~
Power Supply Frequency	50/60Hz	50/60Hz	50/60Hz	50/60Hz	50/60Hz
Power Rating					