

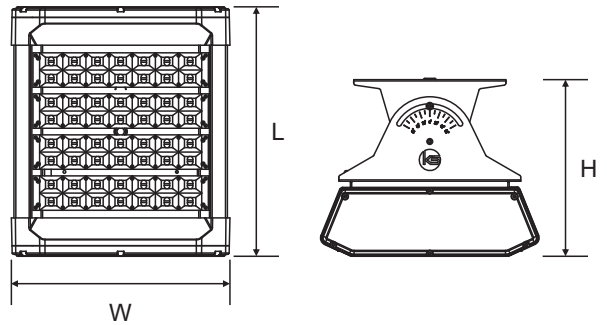
ARTEMIS series tunnel light installation instruction



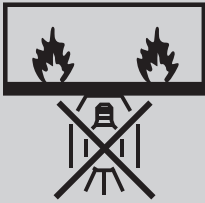
Note: The product pictures in the manual take TL2R3004 Artemis series tunnel light for example.

Product Dimension				
Product name	Model No.	L	W	H
ARTEMIS	TL2R3001	221	330	267
	TL2R3002	253	330	267
	TL2R3003	315	330	267
	TL2R3004	377	330	267
	TL2R3005	439	330	267
	TL2R3006	501	330	267
	TL2R3007	563	330	267
	TL2R3008	625	330	267
	TL2R3009	687	330	267
	TL2R3010	749	330	267

unit: mm



Mounting height $\geq 8m$, the maximum projection area of undergoing wind: $L(m) \times W(m) \times 0.5$



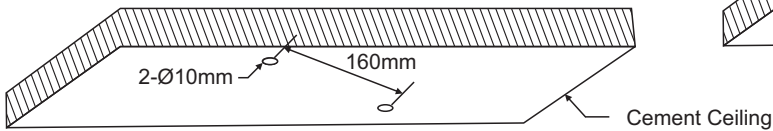
Luminaire can not be directly installed on the surface of ordinary flammable material in any circumstance.

Warning: If outer flexible cable or cord of luminaire are damaged, only manufacturer, its agent or eligible people can replace them to avoid accident.

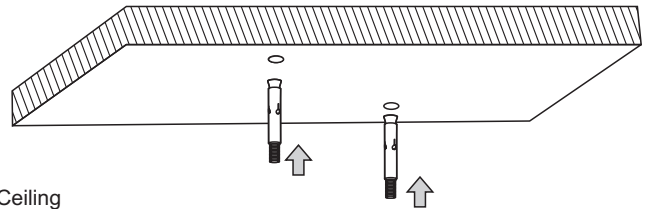
Installation Instruction

- 1 Drill 2 holes in the ceiling with electrical drill. Spacing as shown in picture 1.

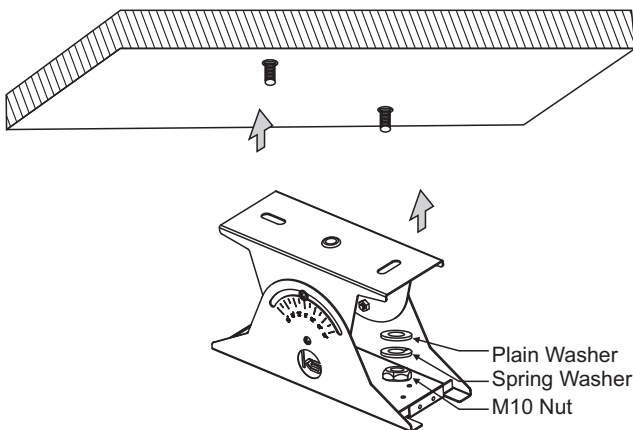
The length of M10 expansion screw and the depth of the hole should be 60mm or more than 60 mm.



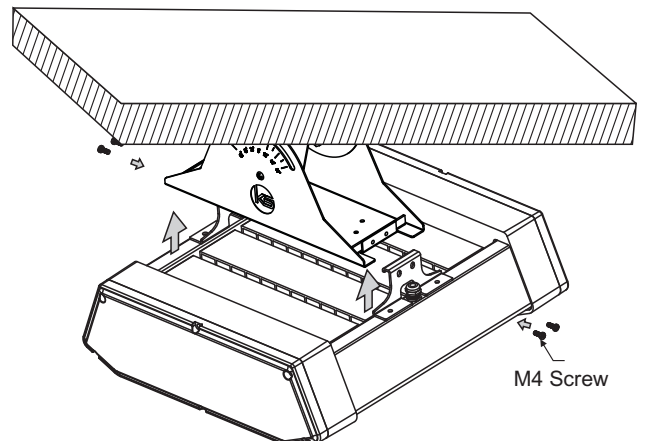
- 2 Tap the M10 screws into the holes as the sketch shows.



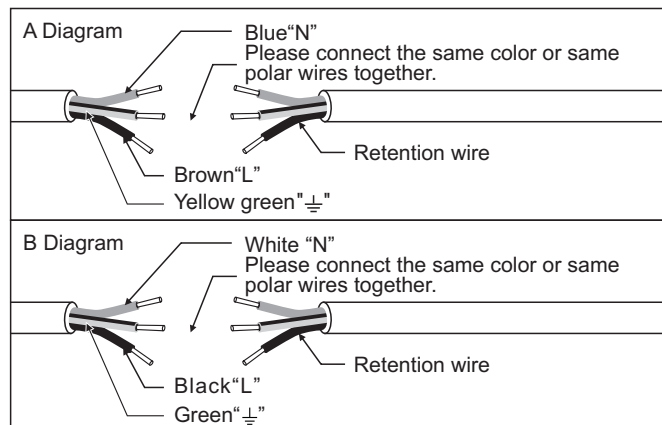
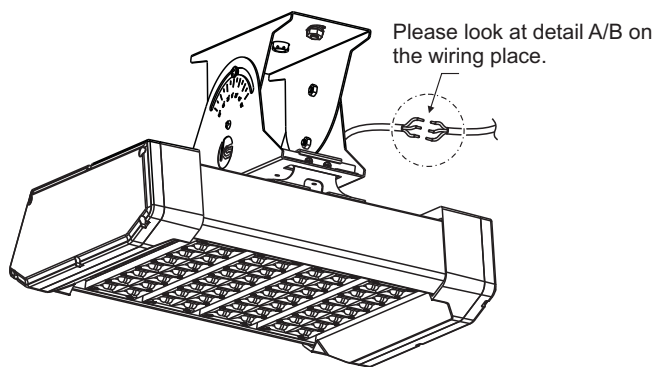
- 3 Lock arm bracket onto the wall with plain washer, spring washer and M10 nut.



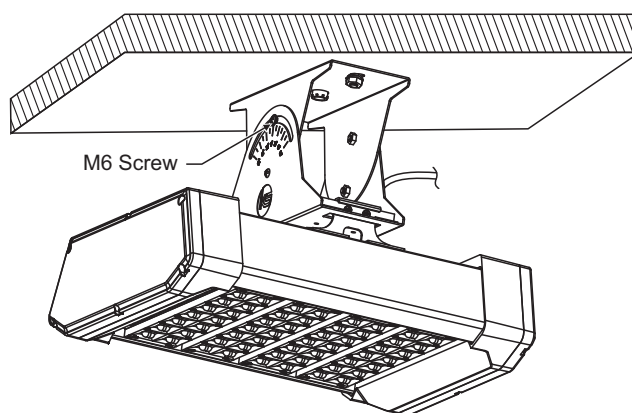
- 4 Pass the power wire through the hole of arm bracket. Hang the lamp onto the bracket with the alignment of hole location between lamp clasp and arm bracket. Then lock the lamp onto the bracket with two M4 screws.



- 5** Connect the power wire with retention wire , then make insulation and water-proof processing. Please look at detail A/B at the wiring place. (please connect wires as per appropriate color of power cords as shown in A/B diagram.)



- 6** Loosen M6 screws with spanner to adjust lamp body until the beam angle meet with customer's requirement, then lock the screws with spanner.



Technical Parameters

Product Specification	TL2R3001	TL2R3002	TL2R3003	TL2R3004	TL2R3005
Input Voltage	120V-277V~	120V-277V~	120V-277V~	120V-277V~	120V-277V~
Power Supply Frequency	50/60Hz	50/60Hz	50/60Hz	50/60Hz	50/60Hz
Power Rating					

Product Specification	TL2R3006	TL2R3007	TL2R3008	TL2R3009	TL2R3010
Input Voltage	120V-277V~	120V-277V~	120V-277V~	120V-277V~	120V-277V~
Power Supply Frequency	50/60Hz	50/60Hz	50/60Hz	50/60Hz	50/60Hz
Power Rating					