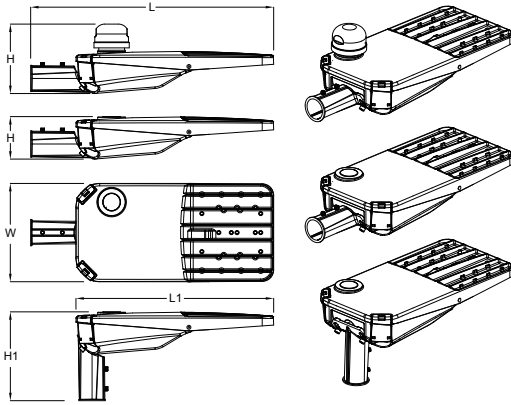


Athena-M Series Street Lighting Installation Instructions

Product Dimensions

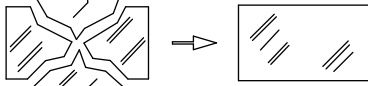
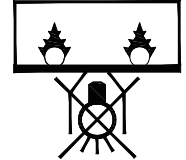


| Product | N.W | L X W X H(mm) |
|-----------|--------|-----------------|
| RL151026 | 4.40Kg | 614 X 248 X 105 |
| RL1510261 | 4.40Kg | |
| RL151036 | 4.65Kg | |
| RL151040 | 4.70Kg | |
| RL151052 | 4.70Kg | |
| RL151024B | 5.13Kg | 614 X 248 X 105 |
| RL151028B | 5.13Kg | |
| RL151032B | 5.15Kg | |
| RL151040B | 5.35Kg | |
| RL151052B | 5.45Kg | |

| Product | N.W | L X W X H(mm) |
|------------|--------|-----------------|
| RL151026A | 4.70Kg | 614 X 248 X 160 |
| RL1510261A | 4.70Kg | |
| RL151036A | 4.75Kg | |
| RL151040A | 4.80Kg | |
| RL151052A | 4.80Kg | |
| RL151024AB | 5.20Kg | 614 X 248 X 160 |
| RL151028AB | 5.20Kg | |
| RL151032AB | 5.21Kg | |
| RL151040AB | 5.42Kg | |
| RL151052AB | 5.63Kg | |

When the installation height 6m and up to 15m, the maximum projected area subjected to wind: length(m)*width(m.)

- Luminaire can not be directly installed on the surface of ordinary flammable material in any circumstance.
- The light source contained in the luminaire shall only be replaced by the manufacturer or his service agent or a similar qualified person.
- Terminal block not included, Installation may require advice from a qualified person. (for models with supply cord)
- If the external flexible cable or cord of this luminaire damage, it shall be exclusively replaced by the manufacturer or his service agent or a similar qualified person in order to avoid a hazard. (for models with supply cord)
- Replace any cracked protective shield:



For outdoor use only



Caution: risk of electric shock.

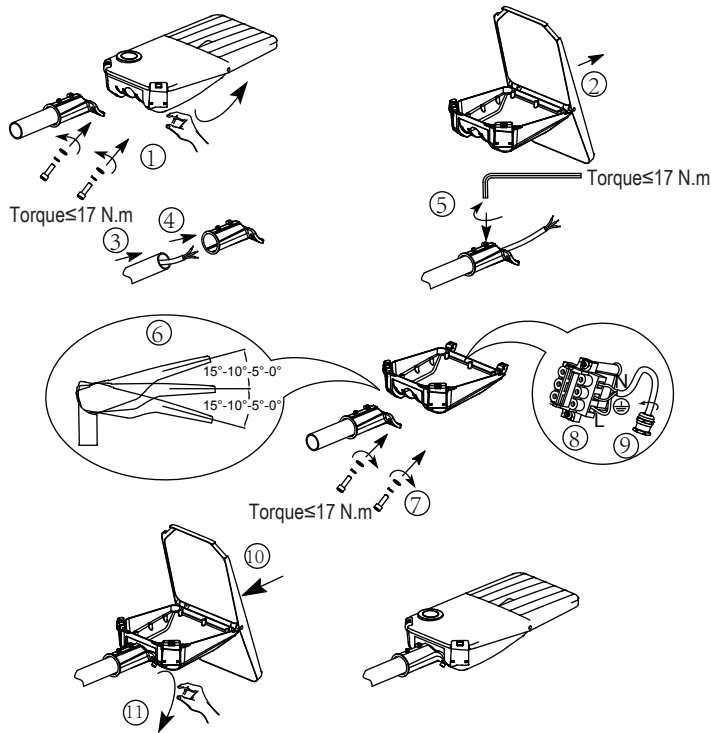
Installation Instructions

Wiring: Connect lamp cable with the power cable, the connection must be isolated and waterproof

With no input line

Note: the input supply cord must be H07RN-F 1X2.5mm² wire preparation for supply cord.

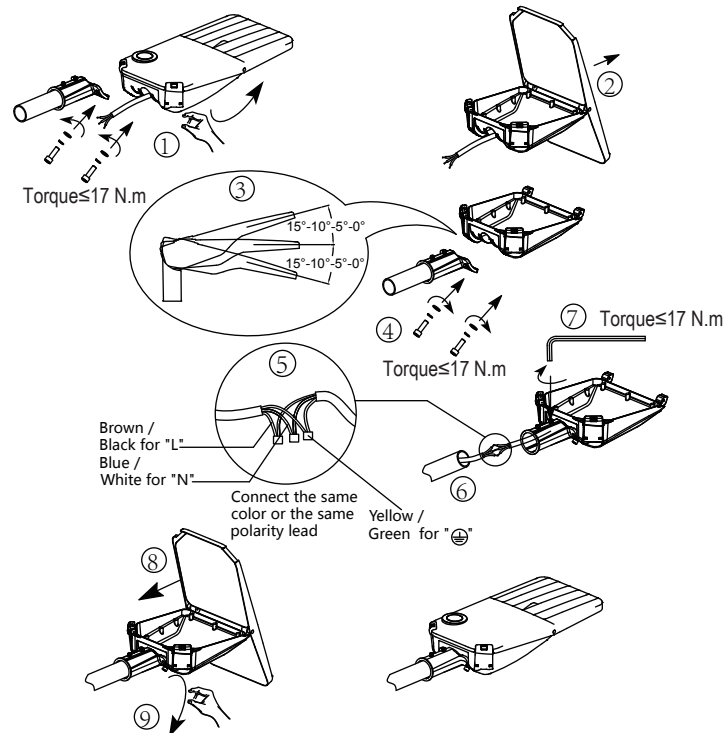
Installation procedure as figure: ①~⑪



With input line

Note: the input supply cord must be H05RN-F 3X1.0mm² wire preparation for supply cord.

Installation procedure as figure: ①~⑨



Main Technical Parameters

| Model No. | | | | Input Voltage | Supply Frequency | Work Environment | power type | IP Rating | Lamp Body Material |
|-----------|------------|-----------|------------|---------------|------------------|--|------------|-----------|--------------------|
| RL151026 | RL151026A | RL151024B | RL151024AB | 100-240VAC | 50/60Hz | Working Temperature Ta & Humidity : 50°C / 10%-95% | TYPE I | IP 66 | Aluminium alloy |
| RL1510261 | RL1510261A | RL151028B | RL151028AB | | | | | | |
| RL151036 | RL151036A | RL151032B | RL151032AB | | | | | | |
| RL151040 | RL151040A | RL151040B | RL151040AB | | | | | | |
| RL151052 | RL151052A | RL151052B | RL151052AB | | | | | | |