

Chalet Garden Light

Optical Specs

LED Light Source	3535 (CREE or equivalent)
LED Color Temperature	4000K (Options: 5000K and 3000K)
Color Rendering Index	Ra>70(Options: 80)
Light Distribution & LENS Kit	Type I

Electrical Specs

Input	100-220-240-365V 50/60Hz
Power Factor	>0.95
LED Driver	Inventronics LED Driver(Philips/MOSO options)
Dimming	W/O; 1-10V / DALI / Programmable / Photocell
Insulation	Class I

Other Specs

Operating Temperature & Humidity	-40℃~50℃/10~95RH
Storage Temperature	-20℃~45℃
IP Classification	IP65
L80 Hours @ 25℃	>93,000 hours
LED Distribution	Line / Round arrangement
Installation	Ø38mm spigot



Project Photo

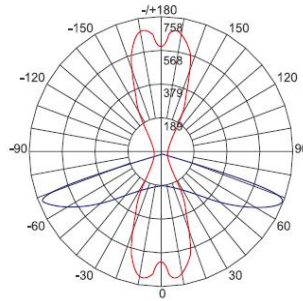
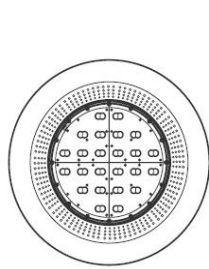
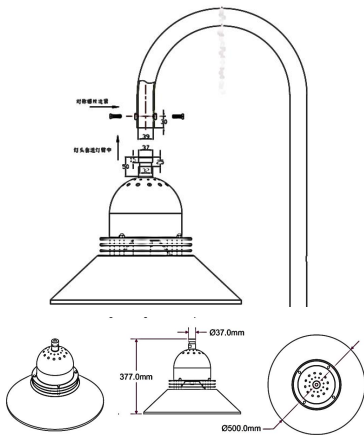


Model Number	Product	Nominal Power (W)	# of LEDs	Flux @ 5000K (lm)	Weight(KG)	Dimensions (mm)
PL1F1012	Chalet Series	15	12	1,500	6.20	Ø500 x H377
PL1F1024		30	24	3,000	6.20	Ø500 x H377
PL1F1036		45	36	4,500	6.50	Ø500 x H377
PL1F1048		60	48	6,000	7.20	Ø500 x H377
PL1F1060		75	60	7,500	7.20	Ø500 x H377

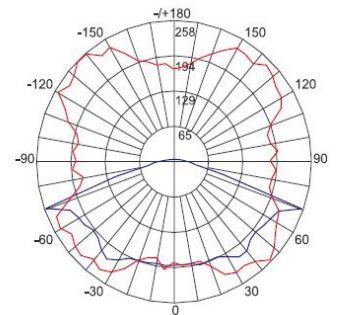
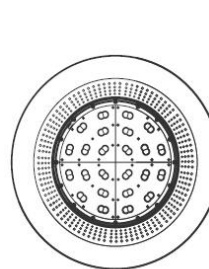
*** ① PL1F1060 without lens ② Curved spigot is optional accessory

Product Dimention

Photometric



Type I



Type I