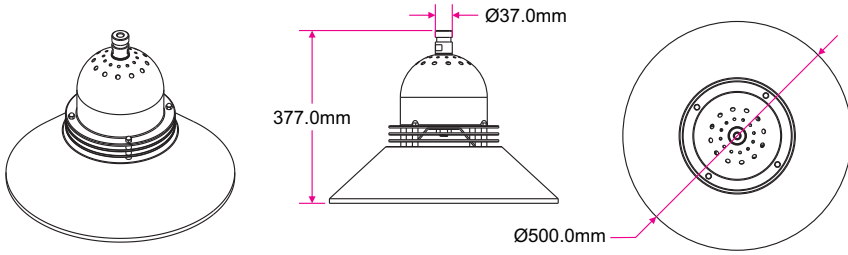


Product Size

Note: take PL1F1048 garden light for example



Product Specification

unit: mm

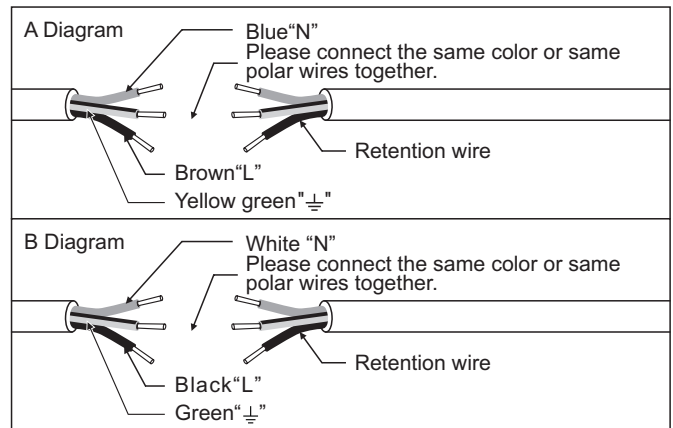
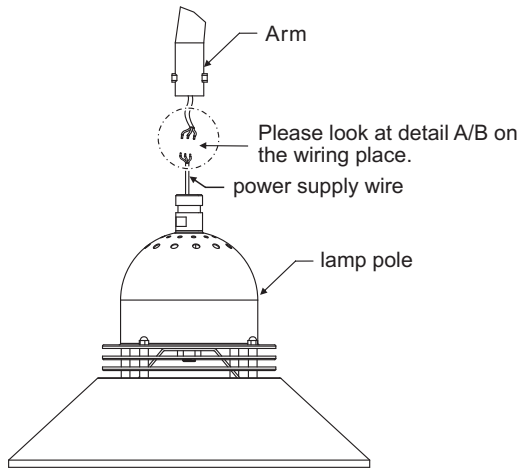
Product Spec	L	W	H
PL1F1012	500.0	500.0	377.0
PL1F1024	500.0	500.0	377.0
PL1F1036	500.0	500.0	377.0
PL1F1048	500.0	500.0	377.0
PL1F1060	500.0	500.0	377.0

Installation Instruction

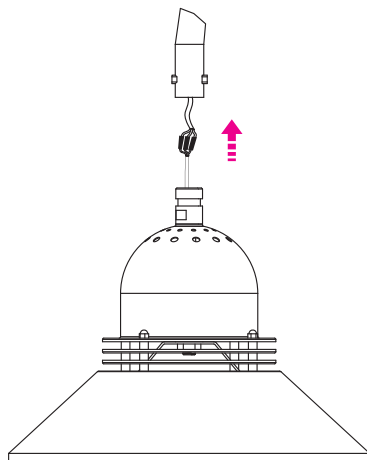
Warning: Luminaire can not be directly installed on the surface of ordinary flammable material in any circumstance

Warning: If outer flexible cable or cord of luminaire are damaged, only manufacturer, its agent or eligible people can replace them to avoid accident

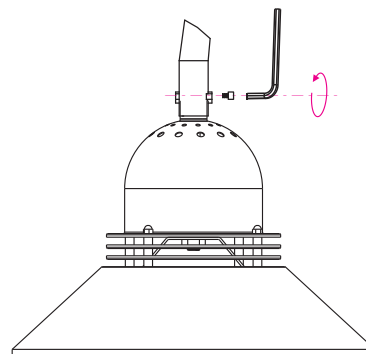
Step 1: Connect the power wire and make insulation and water-proof processing. Please look at detail A/B at the wiring place. (please connect wires as per appropriate color of power cords as shown in A/B diagram.)



Step 2: Put the light into the arm.



Step 3: Tighten the light with screw by wrench and make sure the light is firm.



Cautions:

Ensure safety and firmness of wiring junction.

Protect power supply cables against scuff during installation.

Not to cleaning the lens with strong acid and any marked corrosive solution.

Technical Parameters

Product Specification	PL1F1012	PL1F1024	PL1F1036	PL1F1048	PL1F1060
Input Voltage	100V-240V~	100V-240V~	100V-240V~	100V-240V~	100V-240V~
Frequency Range	50/60Hz	50/60Hz	50/60Hz	50/60Hz	50/60Hz
Power Factor(PF)	0.95	0.95	0.95	0.95	0.95
Working Voltage	DC53V	DC53V	DC53V	DC53V	DC53V
Rated Power					
The temperature of LED Module Shell	Tc:65°C	Tc:65°C	Tc:65°C	Tc:65°C	Tc:65°C
Working Environment	Working temp.Ta:50°C; Working humidity:10%-95%;				
Symbol of power types	Type I	Type I	Type I	Type I	Type I
IP Rating	IP65	IP65	IP65	IP65	IP65
Protective Covering	Material	PC	PC	PC	PC
	Size	Ø300xH33.5mm	Ø300xH33.5mm	Ø300xH33.5mm	Ø300xH33.5mm
	Thickness	3mm	3mm	3mm	3mm
lamp body	Aluminum Alloy	Aluminum Alloy	Aluminum Alloy	Aluminum Alloy	Aluminum Alloy
Net Weight	≈7.5KG	≈7.5KG	≈7.5KG	≈7.5KG	≈7.5KG