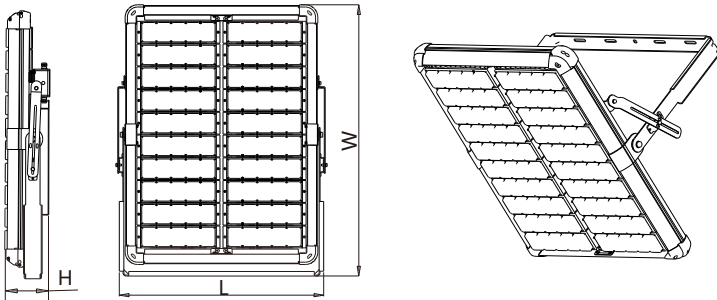


Coliseum LED Stadium Light

Product dimension

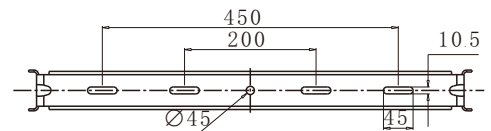
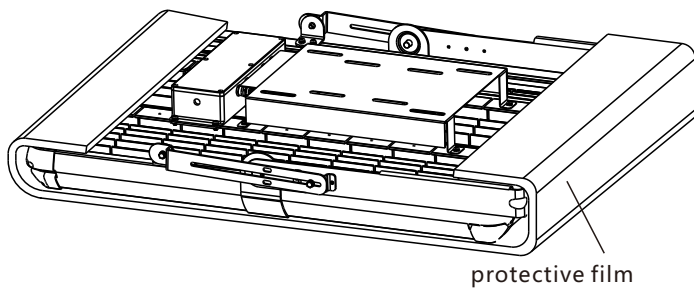
Model	Dimension(mm)	Input Voltage	Driver Frequency	PF	Working Temperature	Driver Type	IP
FL 342812	L827XW813XH300	220-240V	50/60Hz	>0.95	Environment TA:40°C Relative humidity: 10%-95%	Type I	65
FL 342816	L1023XW827XH300						
FL 342820	L1100XW827XH300						



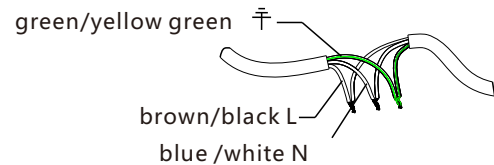
when installation height is 8M or above 8M,
the maximum projected area of the wind is: $L*W*0.5$

Warning:

Pls. confirm the installation base can accept 10 times weight of the lamp;
The lamps can't be installed on the flammability material directly in any circumstance;
The installation, inspecting, maintenance must be operated by qualified electrical personnel to avoid dangerous;
If some damage of the cable, it should be changed by the manufacturer or qualified personnel to avoid dangerous.
The lamps can't be stacked.
The protective film can't be tore off until the installation wholly finished. Otherwise it may damage the lens.
Before light up the lamps , the protective film must be tore off , otherwise it will be burn out.

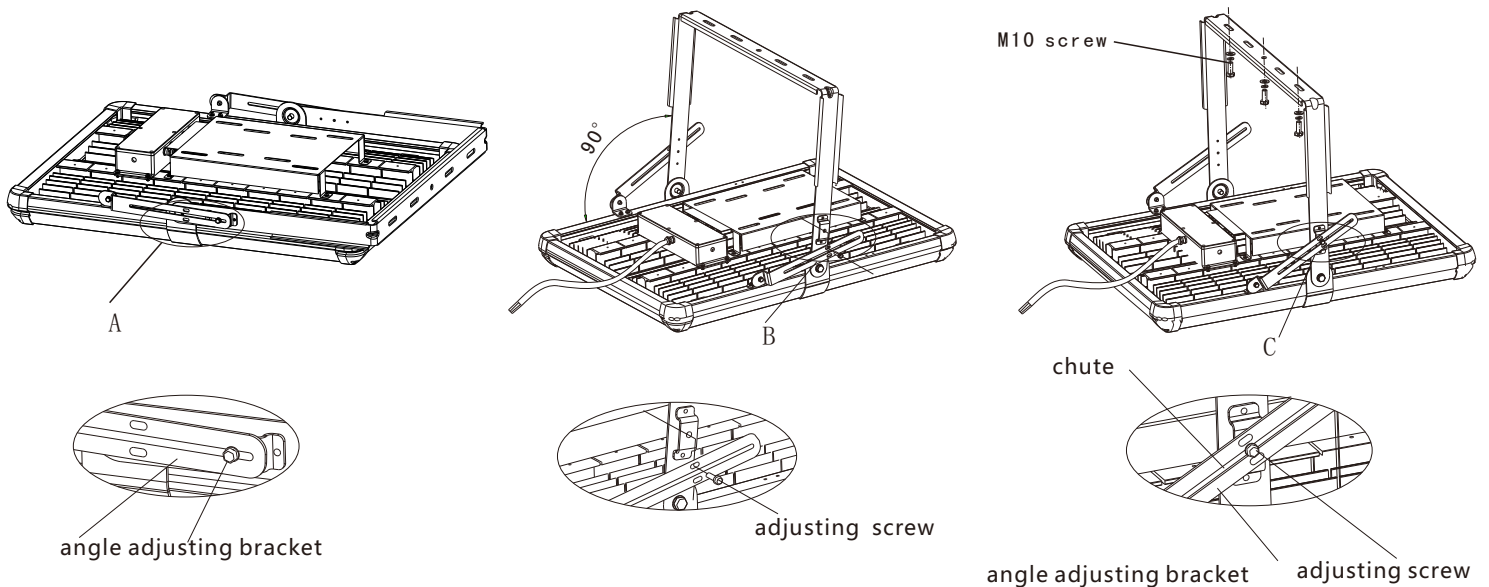


size of bracket mounting hole



Please connect the wires with same color or same polarity ,
and make sure they are waterproofed.

installation guide:



Loosen the adjusting screw , lock the screw as diagram B,
make the support in vertical position.

After the lamp completely fixed , loosen the adjusting screw ,
adjust the lamp to a appropriate angle , pass through the screw
to the chute first , then lock the screw.