

## Drip Series Projection Light

### Optical Specs

LED Light Source	3535
LED Color Temperature	1900-6500K (Options: R,G,B,Y and RGB)
Color Rendering Index	Ra>70
Light Distribution & LENS Kit	6° /15° /25° /30° /45° /120°

### Electrical Specs

Input	100-220-240V 50/60Hz or DC24V
Power Factor	>0.95
LED Driver	Inventronics/MOSO LED Driver
Dimming	W/O; DMX512
Insulation	Class I (AC input)

### Other Specs

Operating Temperature & Humidity	-40℃ ~ 50℃/10~95RH
Storage Temperature	-20℃ ~ 45℃
IP Classification	IP65
Housing Material	Alloy Aluminum&Tempered Glass



Drip B



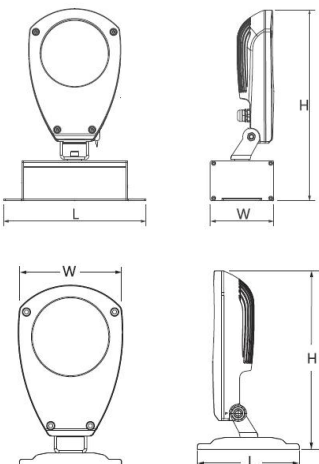
Drip A

Drip C

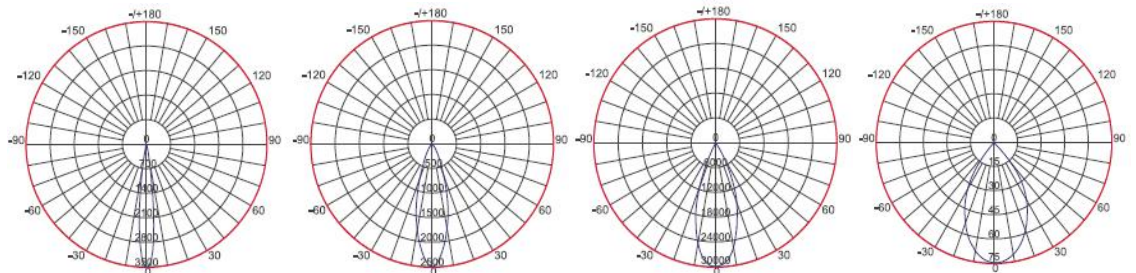
Drip D

Model Number	Product	Nominal Power (W)	# of LEDs	Beam Angle	CCT/Color	Control System	Dimensions (mm)
FL1KA018	Drip A	36	18	6°/30°	1900-6500K	Without/DMX512	L103 x W144 x H210
FL1KA018		48	18				
FL71A006	Drip B	9	6	6°/30°	1900-6500K	Without	L180 x W80 x H238
FL71A006		12	6				
FL71A009		18	9				
FL71A009		24	9				
FL1KA018	Drip C	36	18	6°/30°	1900-6500K R,G,B,Y; RGB	Without/DMX512	L103 x W144 x H210
FL1KA018	Dc 24V	48	18				
FL71A006	Drip D	9	6	6°/30°	1900-6500K R,G,B,Y; RGB	Without/DMX512	L113 x W116 x H196
FL71A006		12	6				
FL71A006		18	9				
FL71A006		24	9				

### Product Dimension



### Photometric



Type V

Type V

Type V

Type V