

FD201 Food Processing Light

Optical Specs

| | |
|-------------------------------|----------------------------------|
| LED Light Source | 3030/5050(LUMILEDS) |
| LED Color Temperature | 4000K (Options: 5000K and 3000K) |
| Color Rendering Index | Ra>70(Options: 80) |
| Light Distribution & LENS Kit | Type I or Type V |

Electrical Specs

| | |
|--------------|--|
| Input | 100-220-240-365V 50/60Hz |
| Power Factor | >0.95 |
| LED Driver | Philips LED Driver(Inventronics/MOSO options) |
| Dimming | W/O; 1-10V / DALI / Programmable / Motion Sensor |
| Insulation | Class I or Class II options |

Other Specs

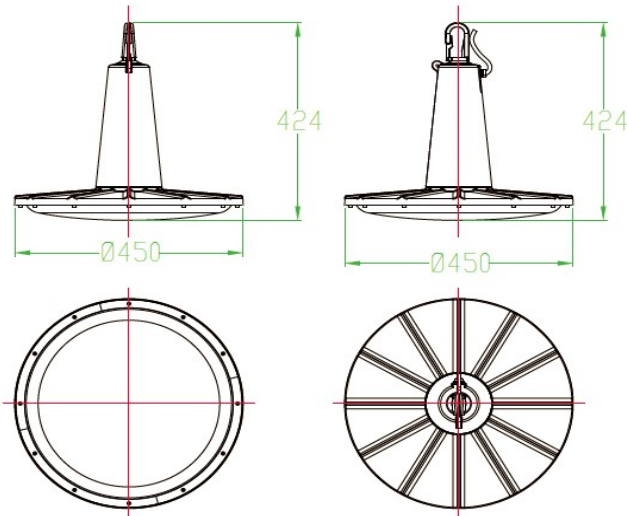
| | |
|----------------------------------|------------------|
| Operating Temperature & Humidity | -40℃~55℃/10~95RH |
| Storage Temperature | -20℃~45℃ |
| IP Classification | IP66 |
| L80 Hours @ 25℃ | >93,000 hours |
| Certificate | UL, NSF, DLC |



BB201

| Model Number | Product | Nominal Power (W) | # of LEDs | Flux @ 4000K (lm) | Flux @ 5000K (lm) | Flux @ 6000K (lm) | Controls |
|--------------|------------------|-------------------|-----------|-------------------|-------------------|-------------------|---|
| FD201A | Standard Version | 100 | 96 | 11,398 | 12,000 | 12,600 | 0 = No Dim Function 1 = 0-10V Dim 2 = Prog. Dim 3 = Dali Control 4 = PIR Sensor |
| FD201B | | 120 | 112 | 13,678 | 14,400 | 15,120 | |
| FD201C | | 150 | 136 | 17,098 | 18,000 | 18,900 | |
| FDC201A | Eco Version | 100 | 96 | 8,880 | 9,349 | 9,816 | 0 = No Dim Function 1 = 0-10V Dim 2 = Prog. Dim 3 = Dali Control 4 = PIR Sensor |
| FDC201B | | 120 | 112 | 10,656 | 11,218 | 11,779 | |
| FDC201C | | 150 | 136 | 13,320 | 14,023 | 14,724 | |
| FD301A | New Version | 150 | 136 | 17,098 | 18,000 | 18,900 | 0 = No Dim Function 1 = 0-10V Dim 2 = Prog. Dim 3 = Dali Control 4 = PIR Sensor |
| FD301B | | 180 | 160 | 20,517 | 21,600 | 22,680 | |
| FD301C | | 200 | 176 | 22,797 | 24,000 | 25,200 | |

Product Dimension



Photometric

