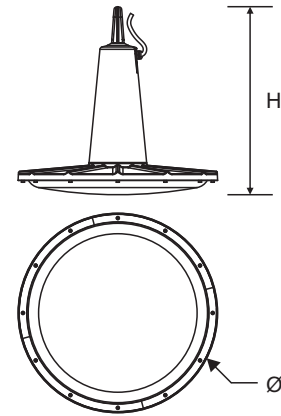


Installation manual of LED canopy light

Note: pictures in this manual refer to BY1J1136 LED canopy light

Product Specification		
Product name	Model No.	Product Dimension
LED canopy light	BY1J1136	Ø450xH424

unit: mm



Warning: If outer flexible cable or cord of luminaire are damaged, only manufacturer, its agent or eligible people can replace them to avoid accident.

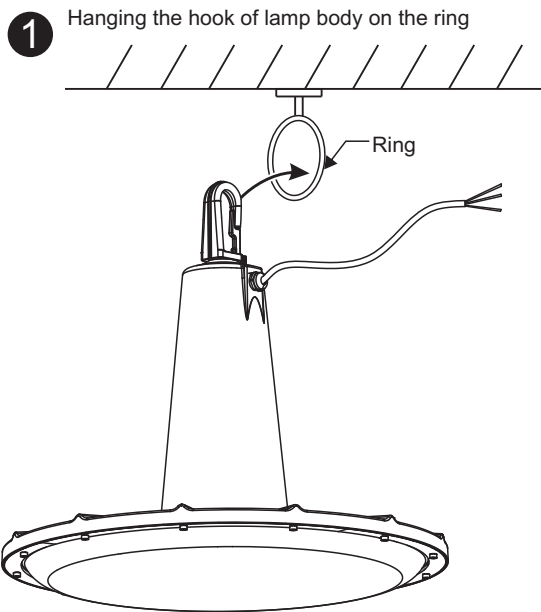
Warning: Switch off power supply before installation avoid electric shock.

Warning: this lamp can be used in meat processing factory, chilling chamber, etc. work temperature: -5° to 10°

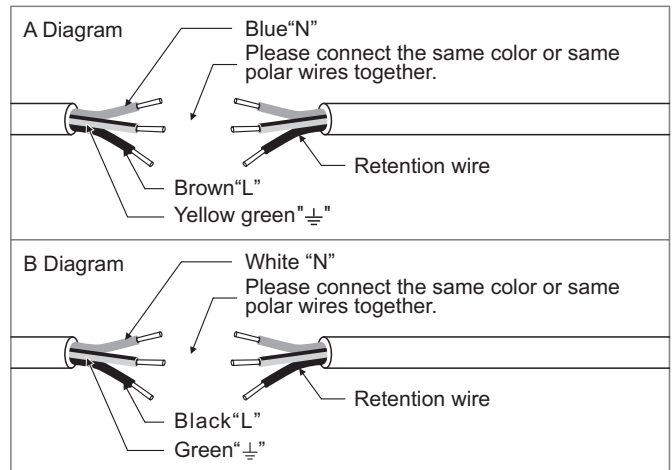
When the luminaire is used for outdoor, the power wire should be connected in the Listed Waterproof outlet box with cover.

THIS PRODUCT MUST BE INSTALLED IN ACCORDANCE WITH THE APPLICABLE INSTALLATION CODE BY A PERSON FAMILIAR WITH THE CONSTRUCTION AND OPERATION OF THE PRODUCT AND THE HAZARDS INVOLVED

Installation Instruction



2 Connect the power wire and make insulation and water-proof processing. Please look at detail A/B at the wiring place. (please connect wires as per appropriate color of power cords as shown in A/B diagram.)



Technical Parameters

Product Specification	BY1J1136
Input Voltage	120V-277V~
Power Supply Frequency	50/60Hz
Power Rating	150W