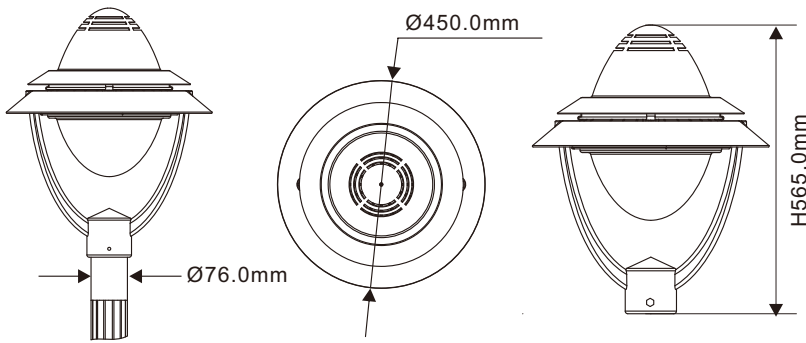




THE INSTRUCTION OF PL1A GARDEN LIGHT SERIES

Product Size

Note: take PL1A1048 street lamp for example



Product Specification

unit: mm

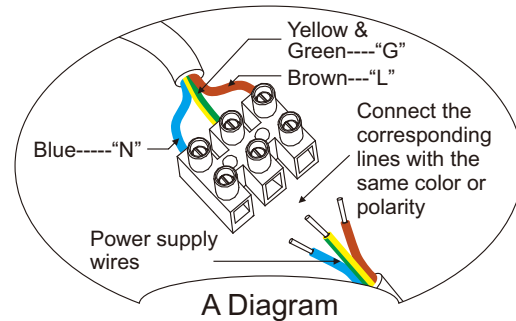
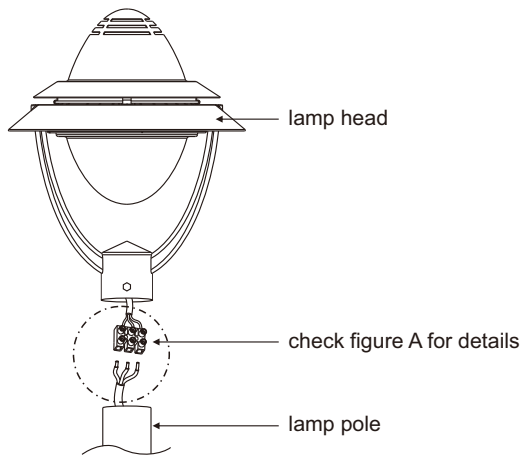
| Product Spec | L | W | H |
|--------------|-------|-------|-------|
| PL1A1012 | 450.0 | 450.0 | 565.0 |
| PL1A1024 | 450.0 | 450.0 | 565.0 |
| PL1A1036 | 450.0 | 450.0 | 565.0 |
| PL1A1048 | 450.0 | 450.0 | 565.0 |
| PL1A1060 | 450.0 | 450.0 | 565.0 |

Installation Instruction

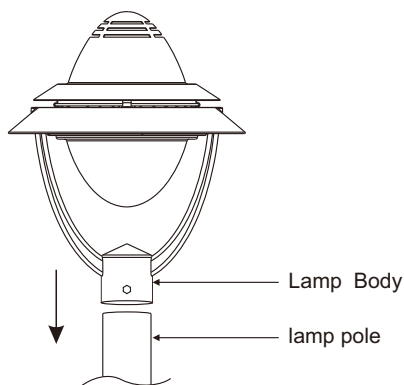
Warning: Luminaire can not be directly installed on the surface of ordinary flammable material in any circumstance

Warning: If outer flexible cable or cord of luminaire are damaged, only manufacturer, its agent or eligible people can replace them to avoid accident

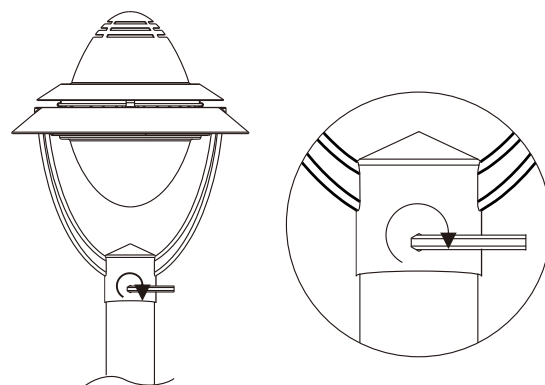
Step 1: Connecting the power supply wires with the retention wire in Lamp Pole. Make sure it's insulated and waterproof.



Step 2: Thread the Lamp onto the pole, make sure the pole comes to the end of body



Step 3: Tightened the hexagon screws by hexagon wrench. Make sure until tightened



Cautions:

Ensure safety and firmness of wiring junction.

Protect power supply cables against scuff during installation.

Not to cleaning the lens with strong acid and any marked corrosive solution.

Technical Parameters

| | | | | | | |
|---------------------------------|---|----------------|----------------|----------------|----------------|----------------|
| Product Specification | | PL1A1012 | PL1A1024 | PL1A1036 | PL1A1048 | PL1A1060 |
| Input Voltage | | 120V-277V~ | 120V-277V~ | 120V-277V~ | 120V-277V~ | 120V-277V~ |
| Power Supply Frequency | | 50/60Hz | 50/60Hz | 50/60Hz | 50/60Hz | 50/60Hz |
| Power Factor | | 0.95 | 0.95 | 0.95 | 0.95 | 0.95 |
| Working Voltage | | DC53V | DC53V | DC53V | DC53V | DC53V |
| Power Rating | | | | | | |
| LED Modular Surface Temperature | | Tc:65°C | Tc:65°C | Tc:65°C | Tc:65°C | Tc:65°C |
| Working Condition | Working temp. ta:50°C; Working humidity10%-95%; | | | | | |
| Symbol of power types | | Type I | Type I | Type I | Type I | Type I |
| IP Code | | IP65 | IP65 | IP65 | IP65 | IP65 |
| Protective Cover | Material | PC | PC | PC | PC | PC |
| | Size | Ø300xH143.4mm | Ø300xH143.4mm | Ø300xH143.4mm | Ø300xH143.4mm | Ø300xH143.4mm |
| | Thickness | 3mm | 3mm | 3mm | 3mm | 3mm |
| Lamp Body Material | | Aluminum Alloy | Aluminum Alloy | Aluminum Alloy | Aluminum Alloy | Aluminum Alloy |
| Net Weight | | ≈9.5KG | ≈9.5KG | ≈9.5KG | ≈9.5KG | ≈9.5KG |

Note: The product design and specifications are subject to change without prior notice.