

Villa Area Light/Garden Light

Optical Specs

LED Light Source	5050/3030
LED Color Temperature	4000K (Options: 5000K and 3000K)
Color Rendering Index	Ra>70(Options: 80)
Light Distribution & LENS Kit	Type I or Type II

Electrical Specs

Input	100-220-240-365V 50/60Hz
Power Factor	>0.95
Surge Protection	10KV(options 20KV)
LED Driver	Philips LED Driver(Inventronics/MOSO options)
Dimming	W/O; 1-10V / DALI / Programmable / NEMA socket / Photocell
Insulation	Class I

Other Specs

Operating Temperature & Humidity	-40℃~50℃/10~95RH
Storage Temperature	-20℃~45℃
IP Classification	IP66
Housing	Die Cast Aluminum
Heatsink	Extruded Aluminum
L80 Hours @ 25℃	>93,000 hours
IK Rating	IK07

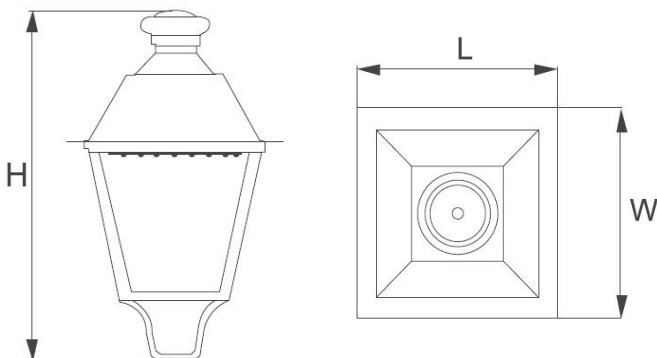


Project Photo

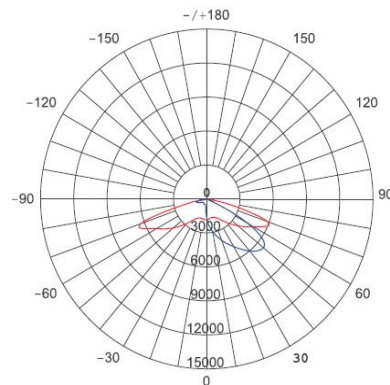


Model Number	Product	Nominal Power (W)	# of LEDs	Flux @ 5000K (lm)	Weight(KG)	Dimensions (mm)
CL5671/AU5671	Villa	31	14	3,100	8.70	L440 x W440 x H800
CL5672/AU5672		62	28	6,200	8.70	L440 x W440 x H800

Product Dimention



Photometric



Type I